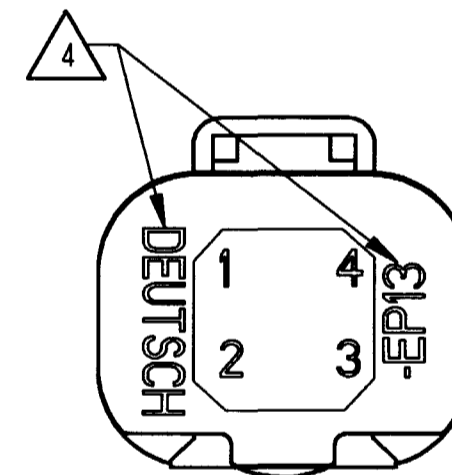
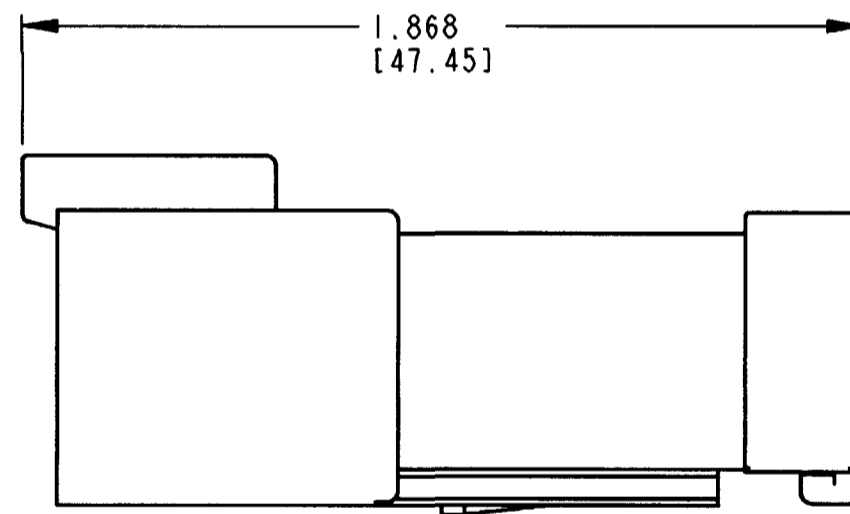
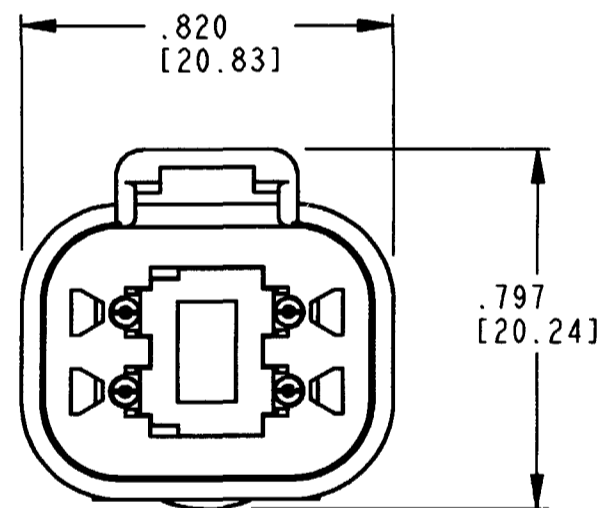
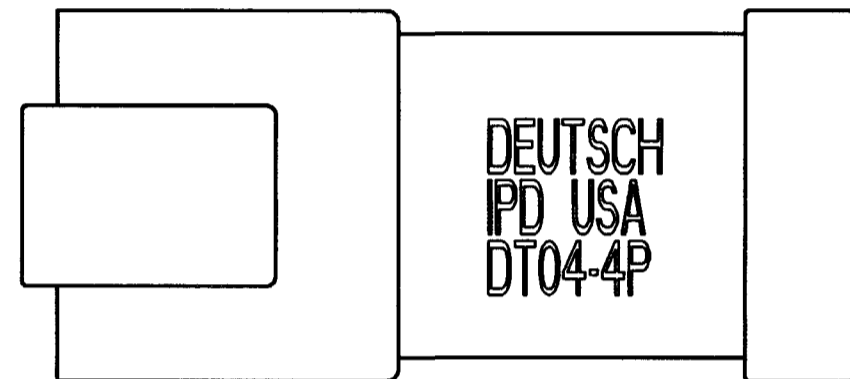
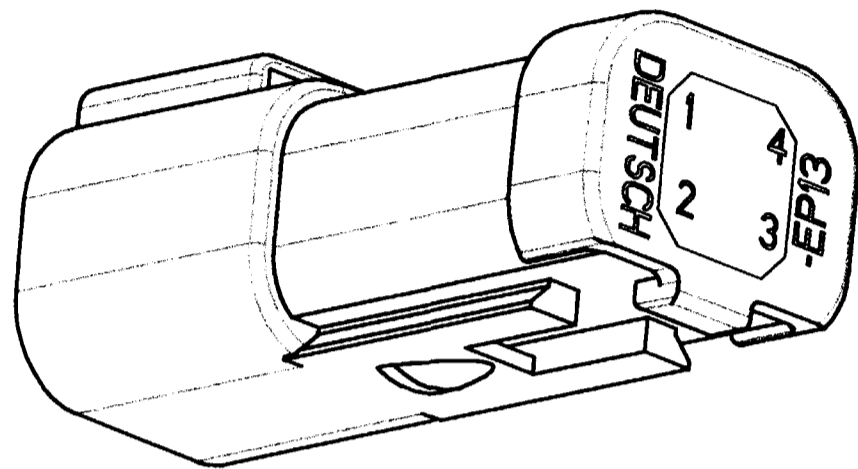


3D VIEW



REV		REVISIONS		
SYM	DESCRIPTION	DATE	APPROVED	
A	DT04-4P-EP13			
NC	NEW RELEASE PER E.O. P15926	7/27/99	JEN	
A	REVISION PER E.O. P16266	9/2/99		

5. THE 4 PIN BUSBAR HAS A MAXIMUM CURRENT RATING OF 26 AMPS.
4. ORIENTATION OF "DEUTSCH" AND "-EP13" TO BE OPTIONAL.
3. THIS DT04-4P-EP13 MATES WITH DT06-4S-**** (**** = ALL MODIFICATIONS). CONSULT FACTORY FOR MODIFICATIONS.
2. DIMENSIONS ARE $\pm .025$ [0.63] UNLESS OTHERWISE SPECIFIED.
1. DIMENSIONS ARE IN INCHES [MILLIMETERS].
- NOTES:

SIGNATURE & DATE	
DR	M. GONZALEZ 8/20/99
CHK	9/2/99
PE	Mali C. 9/2/99
APPD	9/2/99
SCALE	NONE WT

DT 4 WAY RECEPTACLE
4 PIN BUSBAR-NICKEL PLATED
COLOR: BLACK

ENVELOPE

CP	MATL. CODE
The Deutsch Company DEUTSCH I.P.D. 3850 INDUSTRIAL AVE. HEMET, CALIF. 92545	
B	DT04-4P-EP13
DWG SIZE 11139	SHEET OF